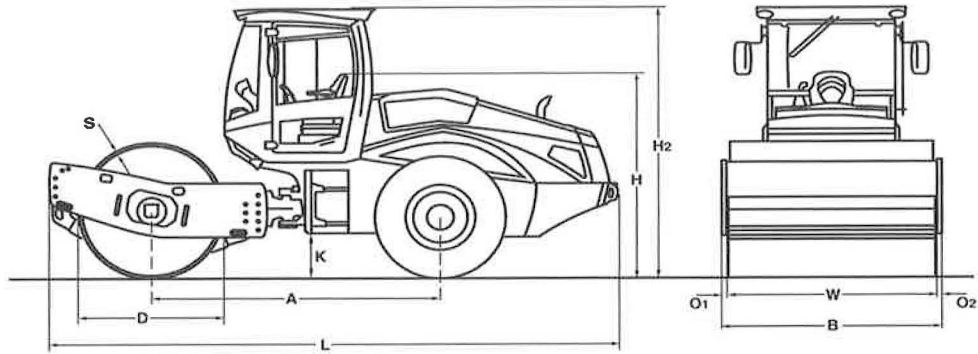




# TECHNICAL DATA

SINGLE DRUM ROLLERS

BW 213 D-5



**Dimensions in mm**

	A	B	D	H	H2	K	L	O1	O2	S	W
<b>BW 213 D-5</b>	2975	2270	1500	2250	2990	490	5870	70	70	30	2130

**Shipping dimensions in m3**

**BW 213 D-5**

**without ROPS**

29,981

**with ROPS**

39,841

Machine type	Compaction output (m3/h)			
	Rock fill	Gravel, sand	Mixed soil	Silt, clay
BW 213 D-5	470-940	300-600	240-480	120-240

Machine type	Compacted layer thickness (m)			
	Rock fill	Gravel, sand	Mixed soil	Silt, clay
BW 213 D-5	0,80	0,50	0,40	0,20



**Technical Data**

**BOMAG  
BW 213 D-5**

**Weights**

Grossweight .....	kg	14.800
Operating weight CECE w. ROPS-cabin .....	kg	12.600
Axle load, drum CECE .....	kg	7.550
Axle load, wheels CECE .....	kg	5.050
Static linear load CECE .....	kg/cm	35,4

**Dimensions**

Working width .....	mm	2.130
Track radius, inner .....	mm	3.680

**Driving Characteristics**

Speed (1) .....	km/h	0- 5,0
Speed (2) .....	km/h	0- 6,0
Speed (3) .....	km/h	0- 8,0
Speed (4) .....	km/h	0- 11,0
Speed .....	km/h	
Max. gradeability without/with vibr. ....	%	45/43

**Drive**

Engine manufacturer .....		Deutz
Type .....		TCD 3.6 L4
Emission stage .....		Stage IV / TIER4f
Exhaust gas aftertreatment .....		DOC+SCR
Cooling .....		Liquid
Number of cylinders .....		4
Performance ISO 3046 .....	kW	95,0
Performance SAE J 1995 .....	hp	128,0
Speed .....	min-1	2.000
Fuel .....		Diesel
Electric equipment .....	V	12
Drive system .....		hydrost.
Drum driven .....		standard

**Drums and Tyres**

Number of pad feet .....		
Area of one pad foot .....	cm <sup>2</sup>	
Height of pad feet .....	mm	
Tyre size .....		23.1-26 12PR

**Brakes**

Service brake .....		hydrost.
Parking brake .....		hydromec.

**Steering**

Steering system .....		oscil.artic.
Steering method .....		hydrost.
Steering / oscillating angle +/- .....	grad	35/12

**Exciter system**

Drive system .....		hydrost.
Frequency .....	Hz	30/34
Amplitude .....	mm	2,10/1,10
Centrifugal force .....	kN	285/196
Centrifugal force .....	t	29,1/20,0

**Capacities**

Fuel .....	l	220,0
------------	---	-------

Technical modifications reserved. Machines may be shown with options



### Standard Equipment

- BOMAG ECOMODE
- Warning, information and operation displays with LCD
- Noise insulation
- Hydrostatic travel and vibration drive
- Hydrostatic articulated steering
- Articulated joint lock
- Rear axle with twin spring accumulator brakes
- No-Spin differential lock
- Warning horn
- Single lever control for travel and vibration
- Seat with arm rest and adj. for position and height
- 2 Scrapers
- Emergency STOP
- Back-up alarm
- Working lights front / rear
- Double pump system for travel drive (DH/PDH)
- Tractor tires (PD)
- Loading mode
- Sliding window
- Battery disconnect switch

### Optional Equipment

- \* ROPS/FOPS cabin with seat belts
  - Sliding window
- ROPS/FOPS with safety belt
- Air condition
- Rearview camera
- ECONOMIZER
- TERRAMETER
- BOMAG ECOSTOP
- BOMAG TELEMATIC POWER
- Padfoot segment kit (D/DH)
- Radio (Bluetooth)
- Indicator and hazard lights
- BCM 05 Documentation system
- Special painting
- Rotary beacon
- Pre start cabin heating
- Environmentally compliant hydraulic oil
- Comfort package: Adjustable seat and adjustable steering column
- Measuring- and machine data interface for third-party suppliers
- Blade (DH/PDH)
- LED Working lights (Cabin)
- Reversing alarm buzzer with broad band audio

\* Standard delivery with CE conformity  
(valid within European Union)

