



Articulated Dumper

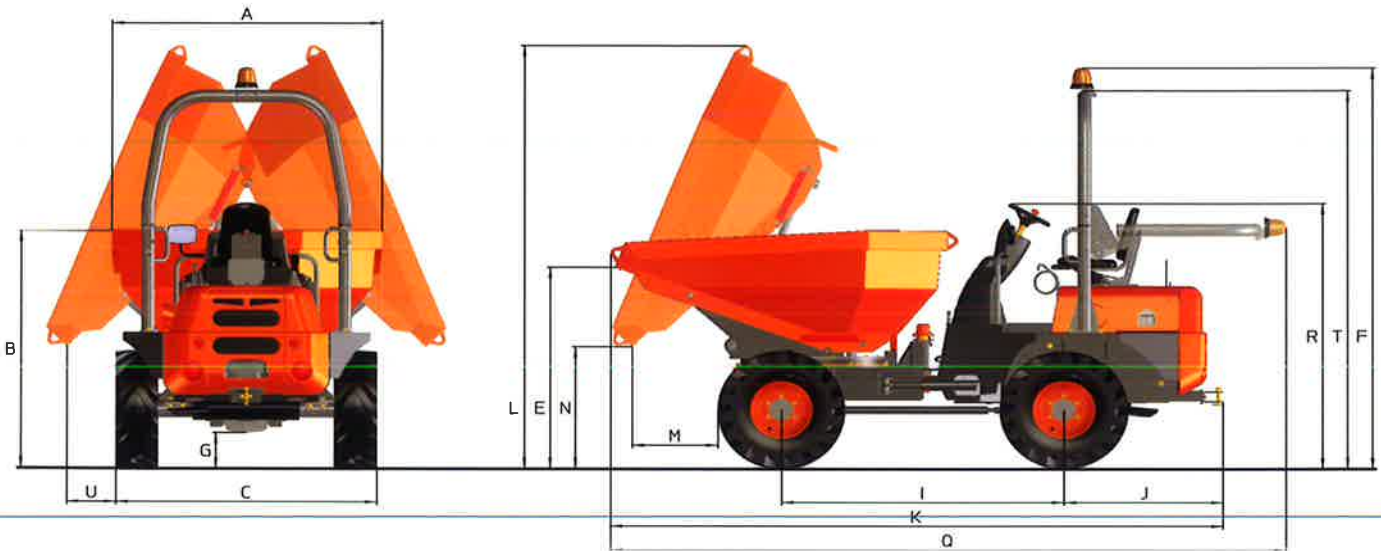
D 450 AHG



TECHNICAL DATA

| GENERAL | | D 450 AHG M656 |
|-------------------------|--------|--|
| Unloading system | | Rotating |
| Load capacity | Kg | 4500 |
| Chassis | | Articulated and oscillating |
| Water hopper capacity | l | 1370 |
| Level hopper capacity | l | 2055 |
| Heaped hopper capacity | l | 2670 |
| Empty weight | Kg | 2970 |
| Transmission | | 2-speed hydrostatic |
| ENGINE | | |
| Brand | | KUBOTA |
| Model | | V2403M-E3B |
| Power | kW | 36.5 |
| Operating speed | rpm | 2700 |
| Torque | Nm@rpm | 160@1600 |
| No. of cylinders | | 4 |
| Emissions | | StageIIIA - EPA Tier4i |
| Noise | dB(A) | 101 |
| Consumption | l/h | 7,9 |
| CO ₂ | Kg/h | 21 |
| DRIVING | | |
| Max. speed | Km/h | 21 |
| Maximum gradient | % | 35 |
| External turning radius | mm | 4830 |
| Traction | | 4x4 |
| Tyres | | 12.0/75-18 |
| HYDRAULIC SYSTEM | | |
| Hydraulic circuit | | 12 cc gear pump |
| Working pressure | bar | 170 |
| TANK CAPACITY | | |
| Fuel | l | 44 |
| Hydraulic system | l | 40 |
| BRAKES | | |
| Service | | Sealed brakes with multiple discs in oil. Hydraulic drive |
| Parking | | Sealed brakes with multiple discs in oil. Mechanical drive |

DIMENSIONS



| DIMENSIONS (mm) | D 450 AHG |
|-----------------|-----------|
| A | 1866 |
| B | 1838 |
| C | 1865 |
| E | 1635 |
| F | 2935 |
| G | 260 |
| I | 1960 |
| J | 1040 |
| K | 4390 |
| L | 3150 |
| M | 770 |
| N | 735 |
| Q | 4820 |
| R | 1935 |
| T | 2765 |
| U | 515 |