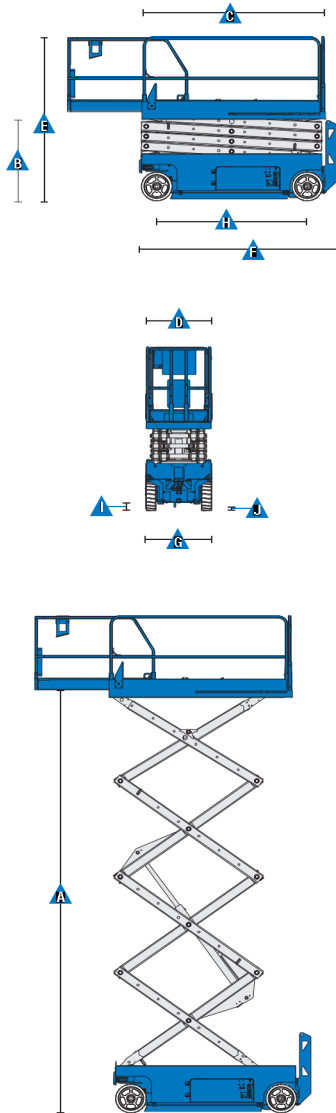


Self-Propelled Scissor Lifts

GS™ -4047

Specifications



| Models | GS™ -4047 | |
|--|-----------|-------------|
| Measurements | Metric | US |
| Working height maximum* | 13.75 m | 44 ft 6 in |
| A Platform height maximum | 11.75 m | 38 ft 6 in |
| B Platform height - stowed | 1.34 m | 4 ft 5 in |
| C Platform length - outside | 2.26 m | 7 ft 5 in |
| extended | 3.18 m | 10 ft 5 in |
| Slide-out platform extension deck | 0.91 m | 3 ft |
| D Platform width - outside | 1.15 m | 3 ft 9.3 in |
| Guardrail height | 1.10 m | 3 ft 7 in |
| Toeboard height | 0.15 m | 6 in |
| E Height - stowed: folding guardrails | 2.54 m | 8 ft 4 in |
| rails lowered | 1.88 m | 6 ft 2 in |
| F Length - stowed | 2.44 m | 8 ft |
| - extended | 3.36 m | 11 ft |
| G Width | 1.19 m | 3 ft 11 in |
| A Wheelbase | 1.85 m | 6 ft 1 in |
| A Ground clearance - centre | 0.10 m | 4 in |
| A - with pothole guards deployed | 1.9 cm | 0.75 in |

Productivity

| | | |
|--|------------------|------------------|
| Max platform occupancy (indoor/outdoor) ¹ | 3/- | 3/- |
| Lift capacity | 350 kg | 770 lbs |
| Drive height | Full height | |
| Drive speed - stowed | 3.1 km/h | 1.9 mph |
| Drive speed - raised | 0.8 km/h | 0.5 mph |
| Gradeability - stowed** | 25% | 25% |
| Turning radius - inside | zero | zero |
| Turning radius - outside | 2.3 m | 91 in |
| Raise/lower speed | 71/41 sec | 71/41 sec |
| Controls | proportional | proportional |
| Drive | dual front wheel | dual front wheel |
| Multiple disc brakes | dual rear wheel | dual rear wheel |
| Tyres solid non-marking | 38 x 13 x 28 cm | 15 x 5 x 11 in |

Power

| | | |
|---------------------------|---|----------|
| Power source | 24 V DC, 300 Ah (four 12 V, 150 Ah batteries in parallel series) | |
| Hydraulic system capacity | 36 L | 7.91 gal |

Sound & Vibration Levels

| | | |
|---|-----------------------|---------------------------|
| Sound pressure level (ground workstation) | < 70 dBA | < 70 dBA |
| Sound pressure level (platform workstation) | < 70 dBA | < 70 dBA |
| Vibration | <2.5 m/s ² | <8 ft 2 in/s ² |

Weight***

| | | |
|-----------------|----------|-----------|
| CE base machine | 3,221 kg | 7,100 lbs |
|-----------------|----------|-----------|

Standards Compliance

EU Directives: 2006/42/EC - Machinery
(harmonized standard EN280:2001+A2:2009); 2004/108/EC (EMC); 2006/95/EC (LVD)

¹ Indoor use only

* The metric equivalent of working height adds 2 m to platform height.

** Gradeability applies to driving on slopes. See Operator's Manual for details regarding slope ratings.

*** Weight will vary depending on options and/or country standards.