



VOLVO WHEEL LOADERS

# L30G

5.5-6.25 t (11,000 - 12,500 lbs) 75hp





# VOLVO L30G, IN DETAIL.

## Engine

Volvo 4-cylinder diesel engine with turbocharger, watercooled. Compliant to Tier 4 environmental regulations. Cooled Exhaust Gas Recirculation (EGR), diesel particulate filter (DPF) and electronic throttle pedal. Maximum engine incline is 30 degrees in all directions.

Air cleaning:

1. Paper filter with indicator in cab
2. Safety filter

L30G		
Engine	Volvo	D3.3D
Gross power at	r/min	2,600
SAE J1995	kW/hp	55.4/74.8
Net power at	r/min	2,600
SAE J1349 - DIN ISO 1585	kW/hp	52.4/71.3
Max torque at	r/min	1,500
SAE J1349 netto	Nm/lbf	265/195.5
Displacement	cm <sup>3</sup> /in <sup>3</sup>	3 300/201.4

## Electrical system

L30G		
Voltage	V	12
Battery capacity	Ah	100
Alternator rating	W / Ah	12/90
Starter motor output	kW/hp	3kW/4hp

## Drivetrain

L30G		
Oscillation at wheel, max.	mm	250
	in	10"
Track	mm	1 482
	ft/in	4' 10"
Angle of oscillation	°	±10
Tire		405/70 R18
Maximum speed		High Speed
1st range forward/reverse	km/h	8
	mph	5
2nd range forward/reverse	km/h	30
	mph	19

L30G		
Flow 100% available for attachments At engine speed	l/min	33
	gal/min	9
At engine speed	r/min	2,600
Relief valve pressure	bar/psi	185/2,683

## Hydraulic system

Thermostatically controlled oil circuit with integrated cooling system.

Hydraulic control valve: Servo-controlled, double acting control valve with three spool system, with primary and secondary pressure valves.

1. Lifting function / 2. Tilting function / 3. Additional function for hydraulic QC and attachments.

Hydraulic oil filter: Combined suction and return-filtration cartridge with a 10 µm filter. The filter can be replaced without emptying the hydraulic oil tank.

Hydraulic pump / gear type-pump

L30G		
Flow 100% available for attachments	l/min	57
	gal/min	15
At engine speed	r/min	2,600
Relief valve pressure	bar/psi	250/3,626

## Linkage

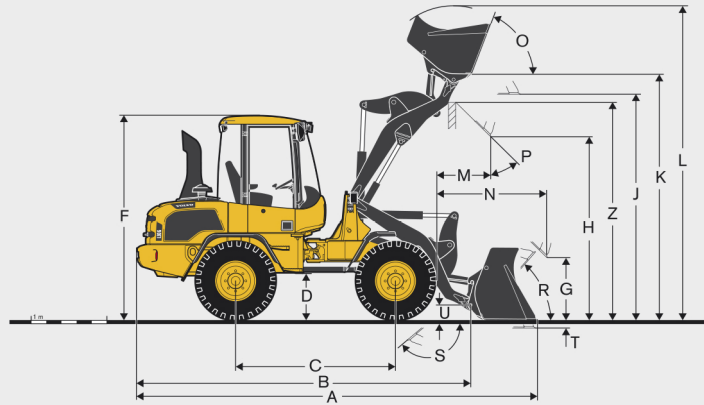
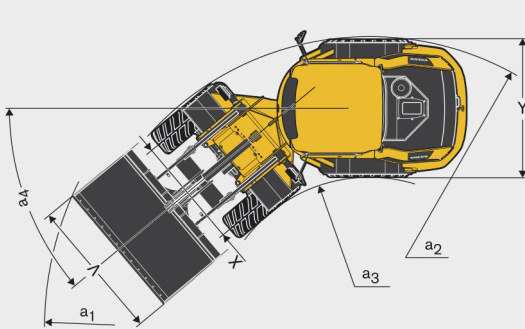
Powerful Z-bar loader-linkage.

L30G		
Lift cylinders/Tilt cylinders		2/1
Lift time (loaded)	s	6.5
Lowering time (empty)	s	3.5
Dump time	s	1.5

## Capacities

L30G		
Engine oil	l	11
	US gal	2.9
Fuel tank	l	86
	US gal	22.7
Front axle	l	12.2
	US gal	3.2
Rear axle, incl. drop-box	l	13.5
	US gal	3.7
Hydraulic tank	l	65
	US gal	17.2

# SPECIFICATIONS L30G Z-BAR.



Description	Unit	L30G	
<b>with 405/70 R18 tires</b>			
B	mm ft/in	4 480	14' 8"
C	mm ft/in	2 150	7' 1"
D	mm ft/in	600	2' 0"
F	mm ft/in	2 740	9' 0"
G	mm ft/in	900	2' 11"
J	mm ft/in	3 060	10' 0"
K	mm ft/in	3 260	10' 8"
O	°	70	
P	°	45	
R	°	50	
S	°	140	
U	mm in	200	8"
X	mm ft/in	1 482	4' 10"
Y	mm ft/in	1 835	6' 0"
Z	mm ft/in	2 960	9' 9"
a <sub>2</sub>	mm ft/in	3 900	12' 10"
a <sub>3</sub>	mm ft/in	2 030	6' 8"
a <sub>4</sub>	°	±40	

Description	Unit	L30G	
<b>With Loading Fork</b>			
Center of gravity 500 mm			
Tipping load, full turn (ISO / DIS)	kg lb	3 000	6,614
Payload according to EN 474-3, 60/80%	kg lb	1 800/ 2 400	3,968/ 5,291
Payload 80%, transport position, 40° full turn	kg lb	2 500	5,512

Description	Unit	L30G	
<b>with 405/70 R18 tires</b>			
<b>4-in-1</b>			
Capacity heaped	m <sup>3</sup> yd <sup>3</sup>	0.9	1.2
Material density	kg/m <sup>3</sup> lb/yd <sup>3</sup>	1 900	3,203
Static tipping load, straight (ISO / DIS)	kg lb	4 000	8,818
Static tipping load, full turn 40° (ISO / DIS)	kg lb	3 550	7,826
Hydraulic lifting capacity, max.	kN lbf	53	11,915
Breakout force	kN lbf	53	11,915
A Total length	mm ft/in	5 390	17' 8"
L Lift height, max.	mm ft/in	4 135	13' 7"
V Bucket width	mm ft/in	1 900	6' 3"
a <sub>1</sub> Clearance circle	mm ft/in	8 560	28' 1"
T Digging depth	mm ft/in	55	0' 2"
H Dump height	mm ft/in	2 480	8' 2"
M Reach at max. height	mm ft/in	705	2' 4"
N Reach, max.	mm ft/in	1 490	4' 11"
Operating weight	kg lb	5 710	12,588



# EQUIPMENT.

## STANDARD EQUIPMENT

	L30G
<b>Engine</b>	
Diesel engine, water cooled	•
Extra fuel filter with water separator	•
Cold start aid	•
Dry-type air filter	•
<b>Electrical system</b>	
Alternator 100 A	•
Main head lights (halogen)	•
full/dipped/asymmetrical	•
Working lights (2 front/2 rear)	•
Parking lights	•
Rear lights	•
Brake lights	•
Direction indicators	•
Hazard warning lights	•
Reversing lights	•
Cab lighting	•
<b>Instrumentation &amp; controls</b>	
Multi-function lever	
12 Volt accessories socket	•
Horn	•
Hazard warning switch	•
Safety start	•
Analog LED-information for:	
Fuel level	•
Engine temperature	•
Drive system oil temperature	•
LED-illuminated symbols (color-coded) for:	
Direction (forward/reverse)	•
Indicators (left/right)	•
Pre-heater	•
Main beam	•
Differential locks	•
LED-illuminated symbols (red) with acoustic signal for:	
Parking brake	•
Air filter restriction	•
Drive system oil temperature	•
Engine temperature	•
Engine oil pressure	•
Battery charging	•
Return filter	•
Switches for:	
Parking lights	•
Working lights (front/rear)	•
Windshield wiper (rear)	•
Rotating beacon	•
Boom suspension system	•
Locking and activation of Volvo attachment carrier (Z)	•
Activation of directional change on joystick	•
Digital LED display activated by dual function keys for:	
Entry and retrieval of operating	•
Information	•
Anti-theft function control	•

	L30G
<b>Drivetrain</b>	
Hydrostatic drive	•
Operator-selected 100% differential locks	•
L30G: 405/70 R18	•
L35G: 405/70 R20	
<b>Cab, Exterior</b>	
ROPS/FOPS-cab isolation mounted	•
Walk-through cab	•
Lockable doors	•
All-round tinted safety glass	•
Windshield wiper (front/rear)	•
Windshield washer (front/rear)	•
Sliding window in the left door	•
Door stops	•
External rear view mirrors (right/left)	•
<b>Cab, Interior</b>	
Hand throttle	•
4-way adjustable operator's seat	•
Adjustable steering column	•
Seat belt	•
Sun visor	•
Air-conditioner	•
Heater with air-filter and defroster (front/rear)	•
Cab ventilation	•
Preparation for an optional air-conditioner	•
Storage box in the cab	•
<b>Hydraulic system</b>	
Gear-type pump	•
Control valve three-spool system	•
3rd hydraulic circuit	•
<b>Working Equipment</b>	
Bucket level indicator	•
Hydraulic quick-change attachment carrier Hydraulic attachment bracket (Z)	•
<b>Carriage Body</b>	
Fenders front/rear	•
Lockable engine hood	•
Towing device	•
Lifting eyes	•
Joystick with integrated 3rd function	•
<b>International Standards for Machines and Production</b>	
Quality: DIN/ISO 9001	•
Safety: CE - Criteron	•
Machine guide-lines 2006/42/EC	•
ROPS ISO 3471	•
FOPS ISO 3449	•
Operating weight ISO 7131	•
Tipping load / Payload: ISO 14397-1	•
EMC (Electromagnetic Compatibility)	•
89/336/EEC plus supplement	•
Environment: DIN/ISO 14001	•
Sound regulation: 2000/14/EC	•
<b>Safety</b>	
Audible reverse alarm	•