

# Specifications

## LE 18GTplus



### PERFORMANCE

Working height, max.	18,30 m
Horizontal outreach with 200 kg	8,50 m
Up and Over Clearance, max.	8,30 m
Basket capacity	200 kg
Movable jib	90°
Turret rotation	355°
To be jacked up on ground slope of	12°/21,0 %
Height and width track adjustment	8/16 cm
Gradeability, max.	19,7°/35,5 %
Slope angle	16,7°/30,0 %
Travel speed	1,8 km/h

### MEASUREMENTS

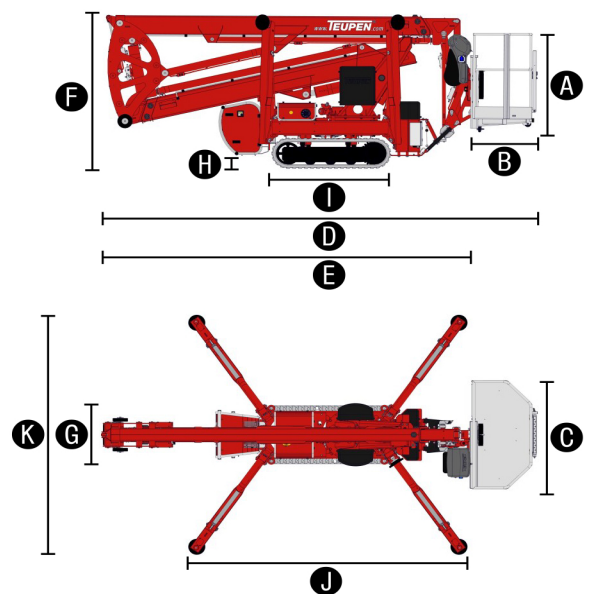
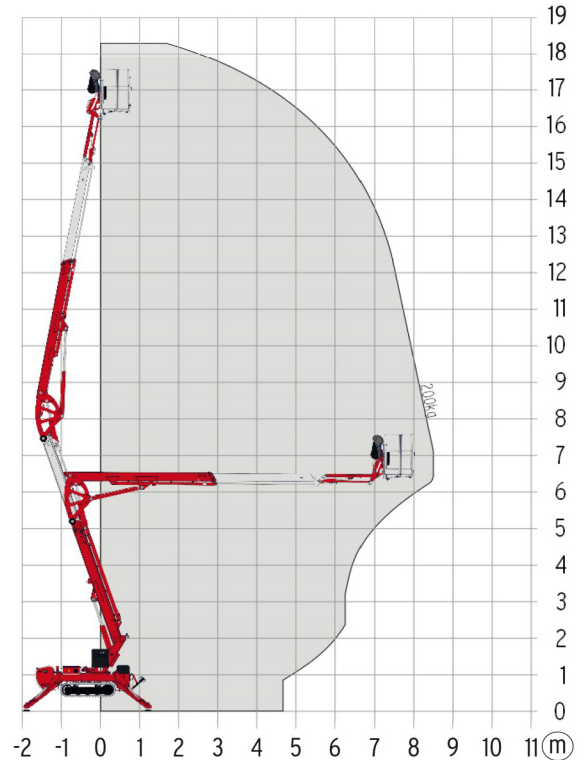
Platform height (A)	1,10 m
Platform length (B)	0,70 m
Platform width (C)	1,42 m
Length, overall (D)	5,20 m
Length without basket (E)	4,50 m
Height, travel position (F)	1,99 m
Width, minimal overall width (G)	0,78 m
Ground clearance, max. (H)	0,25 m
Track (L x W) (I)	145 x 20 cm
Length outrigger footprint, max. (J)	3,31 m
Width outrigger footprint, max. (K)	3,03 m
Outrigger plate Ø	0,18 m

### WEIGHT

Total weight	2450 kg
Live load in travelling position	4,90 kN/m <sup>2</sup>
Live load in working position	2,59 kN/m <sup>2</sup>
Point load per outrigger plate, max.	17,30 kN

### POWER

Standard power sources (electric and combustion engine)	<b>1) Electric:</b> 230 V, 12,9 A, 2,2 kW
Optional power sources	<b>1) Diesel:</b> Kubota Z 602 (10,8 kW/14,5 hp)
Fuel tank capacity petrol engine	12,0 l
Fuel tank capacity Diesel engine	12,0 l



### STANDARDS COMPLIANCE

2006/42/EC-Machinery directive  
(Harmonised standard EN280:2001 + A2:2009); 2004/108/EC (EMC);  
2000/14/EC (Noise emission directive – outdoor)