

MHT Evolution

THE HIGH CAPACITY HANDLING Solution



TECHNICAL DATA

NEW
SAIE 2011
INTERNATIONAL BUILDING EXHIBITION



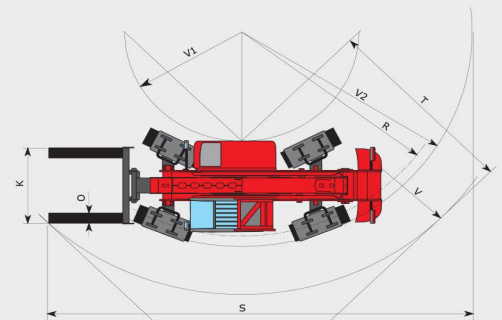
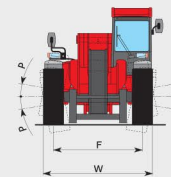
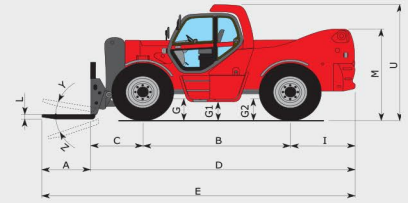
MHT 10180



MHT Evolution

MHT 10180

	Lifting capacity	
	CDG 600 mm	18000 kg
	CDG 900 mm	-
	CDG 1200 mm	14000 kg
	Lifting height	9.7 m
	Time: laden/unladen (in s)	
	Raise	25.00
	Lower	17.00
	Deploy telescope	14.00
	Retract telescope	11.00
	Tyres	445/95 R25 XLB
	Forks (mm)	
	Length x width x thickness	1500 x 200 x 80
	Braking	
	Service brake	multiple-disc brakes hydraulically assisted on front and rear axles
	Parking brake	negative
	MERCEDES MTU Engine	OM 904
	Capacity	4 cyl. - 4250 cm ³
	Power at 2200 rpm (ISO/TR 14396)	175 HP/129 kW
	Max. torque at 1200 rpm - 1600 rpm	675 Nm
	Injection	direct
	Cooling	water
	Transmission	hydrostatic with automatic power regulation (hydraulic variable displacement pump and motor)
	Reversing shift	electromagnetic
	Number of gears (forward/reverse)	2/2
	Max. travel speed	25 km/h
	Rear axle	OMCI Heavy Duty (type stacker)
	Frame levelling	10°/10°
	Steering mode	4 wheel steer / 4 wheel drive 3 steering mode
	Hydraulics	
	Pump (Piston Load Sensing)	170 l/min - 350 bar
	Control	joysticks JSM (Joystick Switch and Move)
	Capacities	
	Cooling system	16 l
	Engine oil	16 l
	Hydraulic oil	200 l
	Fuel tank	200 l
	Unladen weight (with forks)	24080 kg
	Width overall	2.50 m
	Height overall	2.93 m
	Length (forks carriage)	6.60 m
	Ground clearance	0.45 m
	Drawbar pull	15500 daN



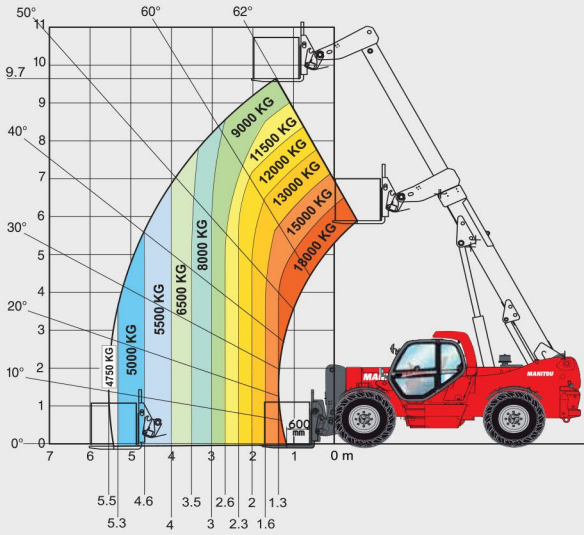
mm	MHT 10180
A	1500
B	3650
C	1335
D	6605
E	8105
F	2070
G	685
G1	445
G2	685
I	1620
K	1750
L	80
M	2300
O	200
P	10°
R	5445
S	10345
T	4255
U	2935
V	6810
V1	2870
V2	5685
W	2500
Y	12°
Z	105°



ROUGH TERRAIN LOAD CHART (UNDER EN 1459 ANNEXE B)

MHT 10180

CDG 600 MM



CDG 1200 MM

