



SELF-PROPELLED ARTICULATING BOOMS

Z™-30/20N RJ



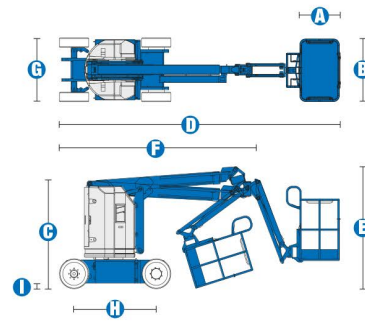
Specifications

MODELS	Z™-30/20N RJ
MEASUREMENTS	Metric
Working height maximum*	10.89 m
Platform height maximum	8.89 m
Horizontal reach maximum	6.25 m
Up and over clearance maximum	3.86 m
A Platform length	.76 m
B Platform width	1.19 m
C Height - stowed	2 m
D Length - stowed	5.31 m
E Storage height	2.24 m
F Storage length	3.66 m
G Width	1.19 m
H Wheelbase	1.60 m
I Ground clearance - center	.09 m

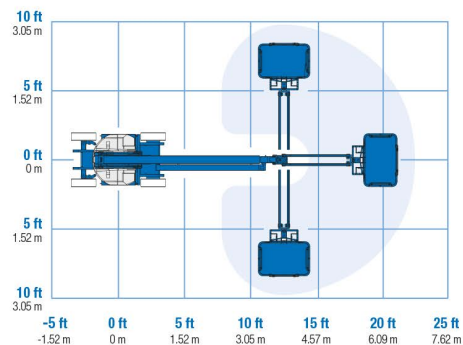
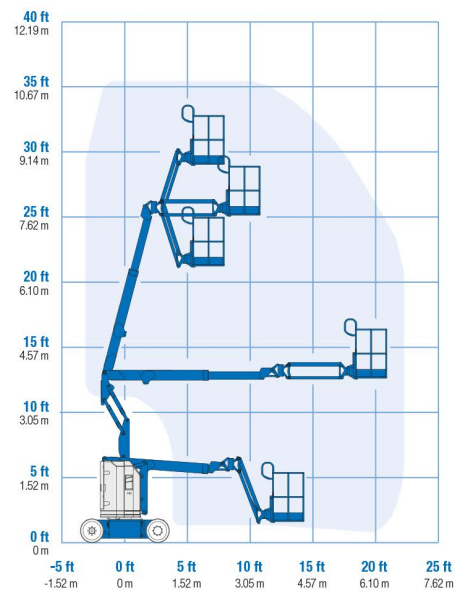
PRODUCTIVITY	
Lift capacity	227 kg
Platform rotation	180°
Vertical jib rotation	139°
Horizontal jib rotation	180°
Turntable rotation	355° non-continuous
Turntable tailswing	zero
Drive speed - stowed	4.8 km/h
Drive speed - raised**	1.1 km/h
Gradeability - stowed***	35%
Turning radius - inside	1.65 m
Turning radius - outside	3.23 m
Controls	24 V DC proportional
Tires - solid non-marking	.56x.18x.45 m

POWER	
Power source	48 V DC (eight 6 V batteries 350 Ah capacity)
Auxiliary power unit	24 V DC
Hydraulic tank capacity	15.1 L

WEIGHT****	
	6,450 kg



RANGE OF MOTION Z™-30/20N RJ



STANDARDS COMPLIANCE ANSI A92.5, CSA B354.4, CE Compliance, AS 1418.10

* The metric equivalent of working height adds 2 m to platform height. U.S. adds 6 ft to platform height.
 ** In lift mode *(platform raised), the machine is designed to operated on firm, level surfaces only.
 *** Gradeability applies to driving on slopes. See operator's manual for details regarding slope ratings.
 **** Weight will vary depending on options and/or country standards.